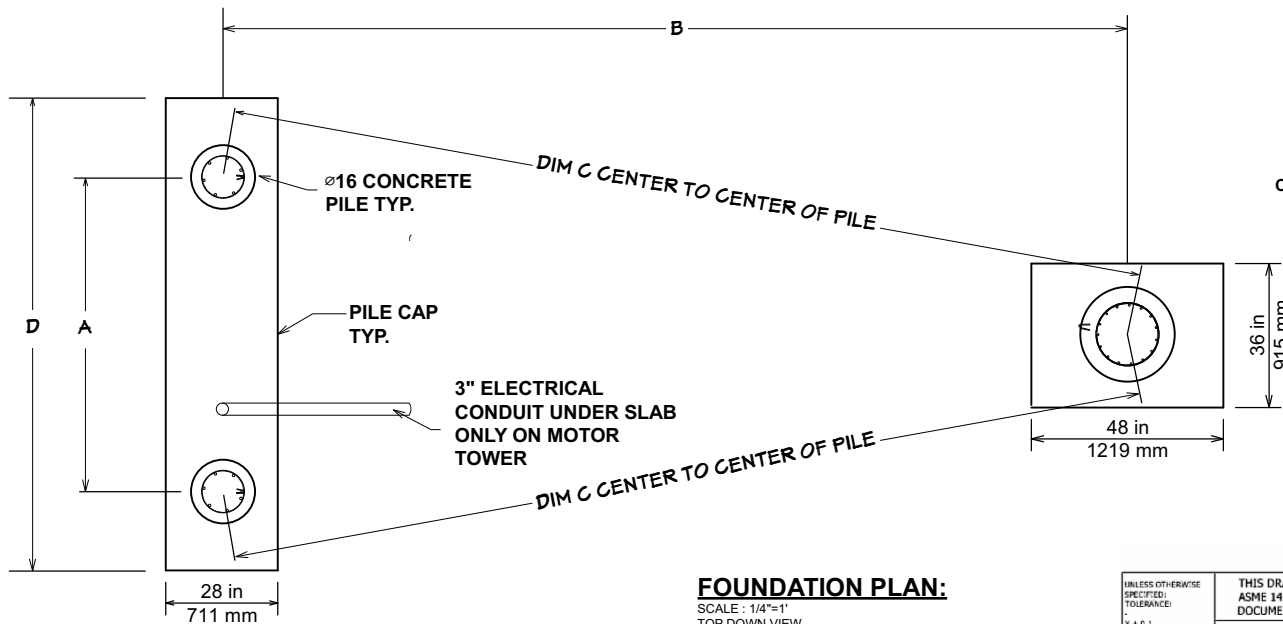


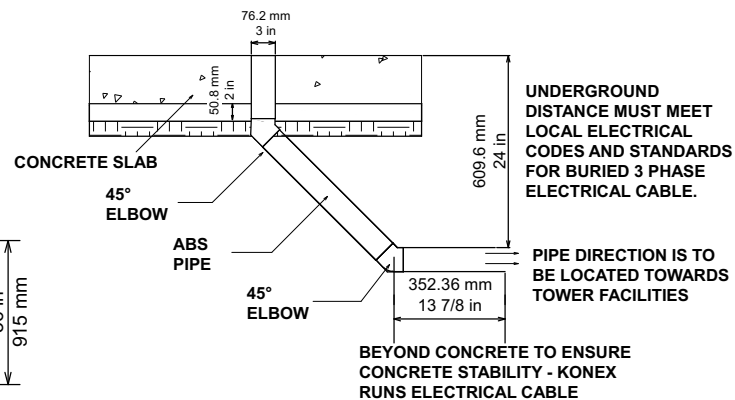
PLAN VIEW:

SCALE: 1/8"=1'
TOP DOWN VIEW



FOUNDATION PLAN:

SCALE: 1/4"=1'
TOP DOWN VIEW



ELECTRICAL PIPE DETAIL:

SCALE: 1/2"=1'
SIDE VIEW

UNDERGROUND DISTANCE MUST MEET LOCAL ELECTRICAL CODES AND STANDARDS FOR BURIED 3 PHASE ELECTRICAL CABLE.

PIPE DIRECTION IS TO BE LOCATED TOWARDS TOWER FACILITIES

BEYOND CONCRETE TO ENSURE CONCRETE STABILITY - KONEX RUNS ELECTRICAL CABLE

TABLE OF DIMENSIONS								
MODEL	DIM A (in)	DIM B (in)	DIM C (in)	DIM D (in)	DIM A (m)	DIM B (m)	DIM C (m)	DIM D (m)
22'(6.7M)	92.78	215.24	220.17	123.78	2.36	5.467	5.592	3.14
31'(9.5M)	118.35	334.16	339.36	149.35	3.00	8.488	8.619	3.79
40'(12.2M)	144.00	454.89	456.48	175.00	3.66	11.595	11.595	4.45

UNLESS OTHERWISE SPECIFIED: TOLERANCE: X ± 0.1 XX ± 0.01 KXX ± 0.005 CUT ANGLE ± 0.5 FORMED ANGLE ± 3 DO NOT SCALE PRINT

THIS DRAWING CONFORMS TO ASME 14.5M - 1994 FOR DOCUMENTATION PRACTICES

THIRD ANGLE PROJECTION



PROPRIETARY AND CONFIDENTIAL: THE INFO CONTAINED IN THESE DRAWINGS IS THE SOLE PROPERTY OF KONEX WAKE PARKS INC. ANY REPRODUCTION IN PART OR AS A WHOLE WITHOUT THE WRITTEN PERMISSION OF KONEX WAKE PARKS INC. IS PROHIBITED

PROCESS:		STANDARD DRAWING - IN AUTODESK INVENTOR 3D MODEL	
DRAWN BY		NAME	DATE
DESIGNER			
CHECKER			
PART NO.		REV A	
SHEET NO.		1 OF 3	

MATERIAL

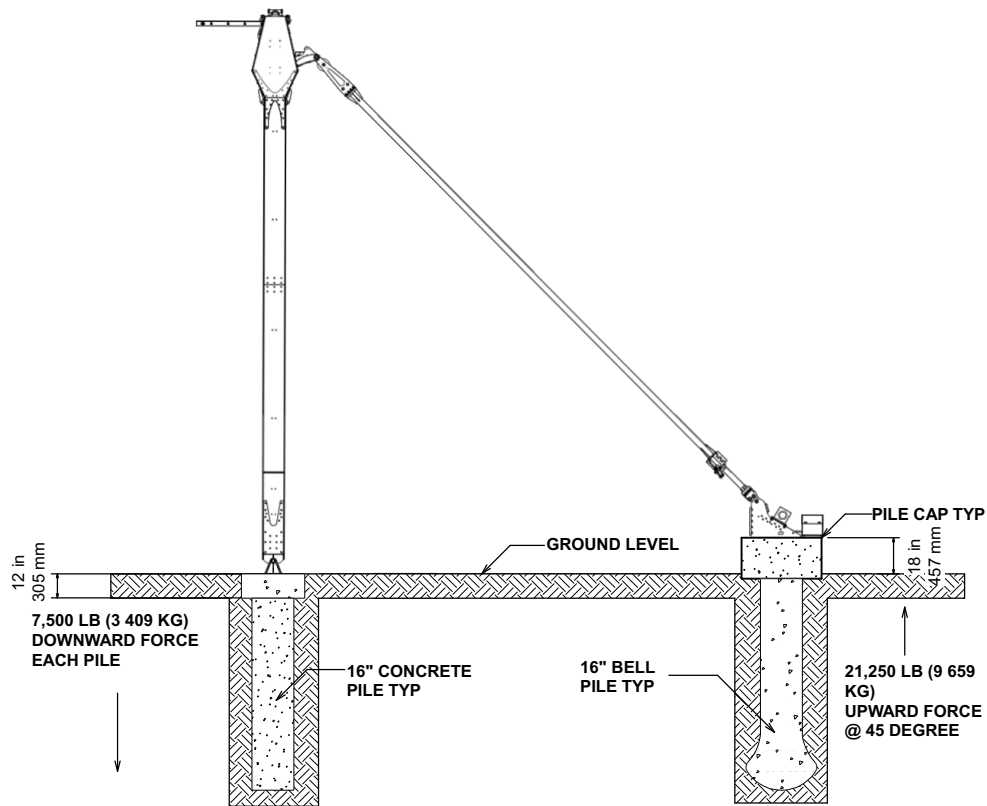
SHEET SIZE: MASS

THICKNESS

DESCRIPTION

TYPICAL PILE FOUNDATION

SCALE



MAIN CROSS SECTION:

SCALE : 1/8"=1'
TOP DOWN VIEW

NOTES:

1. THIS DRAWING IS FOR ILLUSTRATION PURPOSES ONLY.
2. DIMENSIONS MUST BE VERIFIED IN SITU BEFORE CONSTRUCTION IS INITIATED.
3. ALL MEASUREMENTS ARE IN INCHES UNLESS OTHER MENTIONED.
4. ALL STRUCTURAL STEEL OBJECTS MUST BE COVERED WITH SPECIAL STEEL PAINT OXIDE RETARDER.
5. RESIDENT ENGINEER IS RESPONSIBLE FOR ENSURING COMPLIANCE OF ALL CODES MENTIONED TO GUARANTEE PRODUCT QUALITY.
6. IT'S THE CONTRACTOR RESPONSIBILITY TO BECOME FAMILIAR WITH THE PERMIT AND INSPECTION REQUIREMENTS SPECIFIED BY THE VARIOUS GOVERNMENTAL AGENCIES AND THE ENGINEER.
7. CONCRETE STRENGTH 32 MPA
8. STEEL STRENGTH 60 KSI
9. ADDING A RAPID SETTING ADDITIVE IS RECOMMENDED FOR COLD ZONES.
10. STEEL BOLTS AND FASTENERS SIZE AND LENGTH MUST BE DESIGNED FOR SHEAR, PUNCH AND BRACING.
11. MAIN REBAR AND STIRRUPS SIZE AND LENGTH MUST BE DESIGNED UNDER ACI 318-2014 PROCEDURE.
12. MINIMUM LENGTH OF REBAR BENDING IS #25.
13. CLEAR COVER OF CONCRETE IS 3" OR 7.50cm UNDER ACI 318-2014.
14. PLATE AND BOLT DETAIL IS ILLUSTRATIVE BY KONEX SUPPLIERS.
15. PIPE DIRECTION IS TO BE LOCATED TOWARDS ELECTRICAL PANEL.
16. PILE LENGTH WILL BE DETERMINED BY SOIL REPORT OR GEOTECHNICAL ENGINEER.

REQUIRED CONCRETE (BOTH TOWERS)		
MODEL	CUBIC YARDS	CUBIC METERS
22'(6.7M)	7.3	5.6
31'(9.5M)	7.7	5.9
40'(12.2M)	8.0	6.2

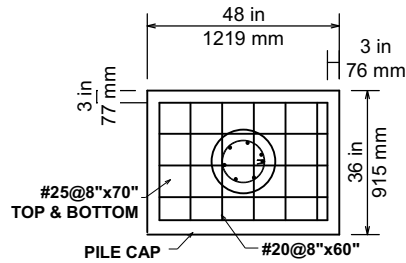
UNLESS OTHERWISE SPECIFIED: TOLERANCE:
 X ± 0.1
 XX ± 0.01
 XXX ± 0.001
 CUT ANGLE ± 0.5
 FORMED ANGLE ± 3
 DO NOT SCALE
 PRINT

THIS DRAWING CONFORMS TO ASME 14.5M - 1994 FOR DOCUMENTATION PRACTICES

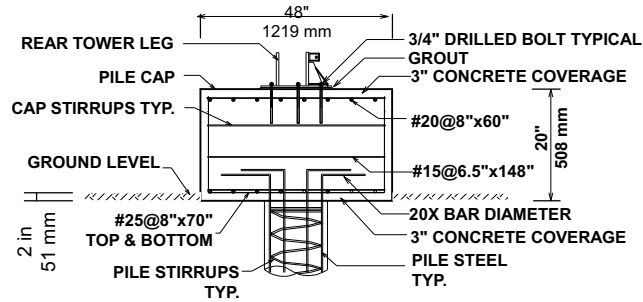
KONEX
wake parks inc.

PROPRIETARY AND CONFIDENTIAL: THE INFO CONTAINED IN THESE DRAWINGS IS THE SOLE PROPERTY OF KONEX WAKE PARKS INC. ANY REPRODUCTION IN PART OR AS A WHOLE WITHOUT THE WRITTEN PERMISSION OF KONEX WAKE PARKS INC. IS PROHIBITED.

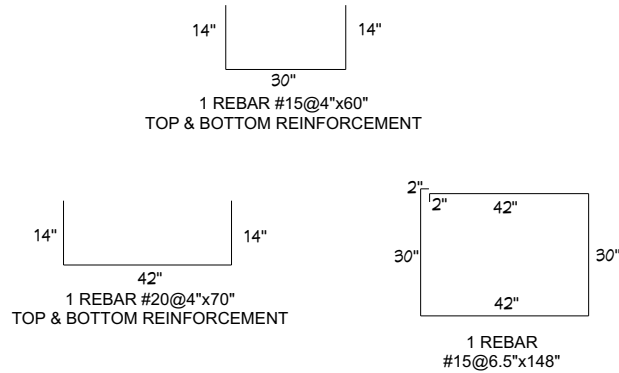
PROCESS:		STANDARD DRAWING - IN	
		AUTODESK INVENTOR 3D MODEL	
	NAME	DATE	
DRAWN BY			
DESIGNER			
CHECKER			
MATERIAL	DESCRIPTION	PART NO.	REV
SHEET SIZE: <input type="radio"/> MASS	TYPICAL PILE FOUNDATION		A
THICKNESS	SCALE	SHEET NO.	2 OF 3



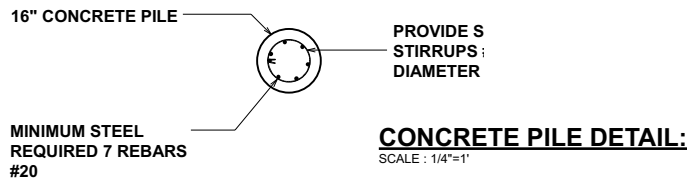
REAR CAP PLAN VIEW:
SCALE : 1/4"=1'



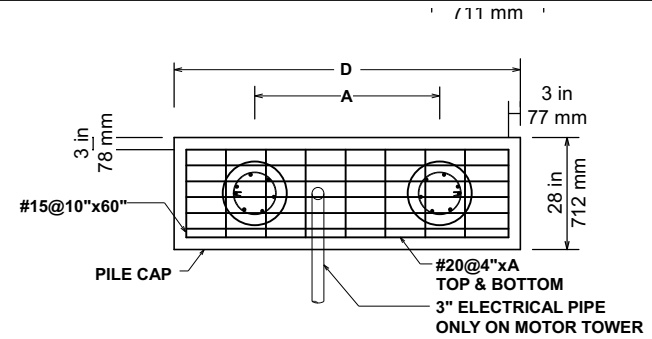
REAR CAP CROSS SECTION:
SCALE : 1/4"=1'



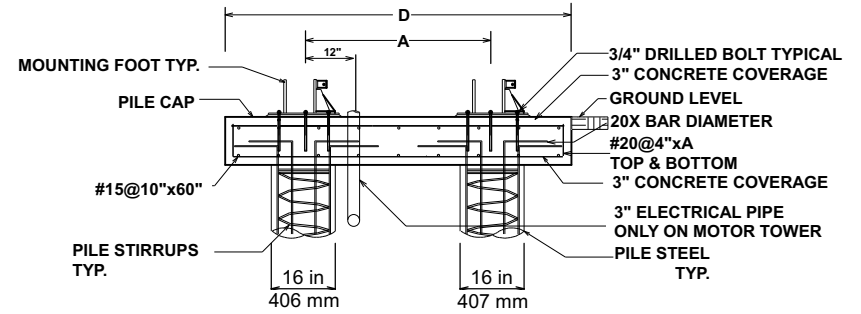
REAR CAP REBAR DETAILS:
SCALE : 1/4"=1'



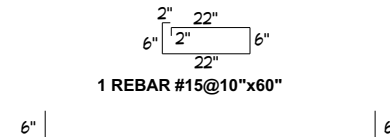
CONCRETE PILE DETAIL:
SCALE : 1/4"=1'



FRONT CAP PLAN VIEW:
SCALE : 1/4"=1'



FRONT CAP CROSS SECTION:
SCALE : 1/4"=1'



- MODEL 20' D = 117.80"
- MODEL 30" D = 143.35"
- MODEL 40" D = 169.00"
- 1 REBAR #20@4"x129.80" TOP & BOTTOM REINFORCEMENT
- 1 REBAR #20@4"x155.35" TOP & BOTTOM REINFORCEMENT
- 1 REBAR #20@4"x181.00" TOP & BOTTOM REINFORCEMENT

FRONT CAP REBAR DETAILS:
SCALE : 1/4"=1'

UNLESS OTHERWISE SPECIFIED: TOLERANCES: X ± 0.1 XX ± 0.01 XXX ± 0.001 CUT ANGLE ± 0.5 FORMED ANGLE ± 3 DO NOT SCALE PRINT	THIS DRAWING CONFORMS TO ASME 14.5M - 1994 FOR DOCUMENTATION PRACTICES	KONEX <i>weber parks inc.</i> PROPRIETARY AND CONFIDENTIAL: THE INFO CONTAINED IN THESE DRAWINGS IS THE SOLE PROPERTY OF KONEX WEBER PARKS INC. ANY REPRODUCTION IN PART OR AS A WHOLE WITHOUT THE WRITTEN PERMISSION OF KONEX WEBER PARKS INC. IS PROHIBITED.	PRODUCT SERIES STANDARD DRAWING - IN AUTODESK INVENTOR 3D MODEL
	THIRD ANGLE PROJECTION		NAME _____ DATE _____
MATERIAL	DESCRIPTION TYPICAL PILE FOUNDATION	DRAWN BY _____ DESIGNER _____ CHECKER _____	REV A
SHEET SIZE: <input type="radio"/> MASS	SCALE _____	PART NO. _____	SHEET NO. 3 OF 3