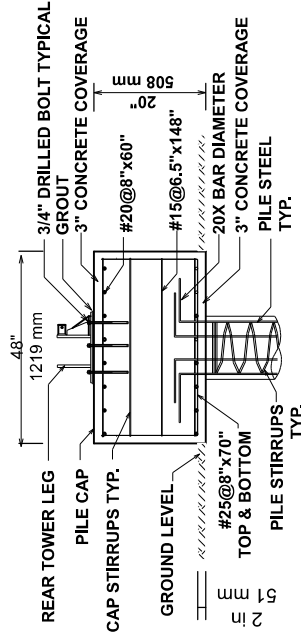
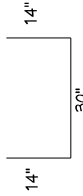


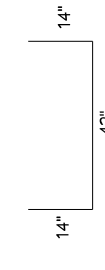
FRONT CAP PLAN VIEW:
SCALE: 1/4"=1'



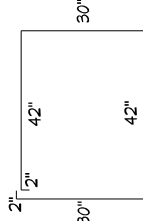
FRONT CAP CROSS SECTION:
SCALE: 1/4"=1'



1 REBAR #15@4"x60"
TOP & BOTTOM REINFORCEMENT



1 REBAR #20@4"x70"
TOP & BOTTOM REINFORCEMENT

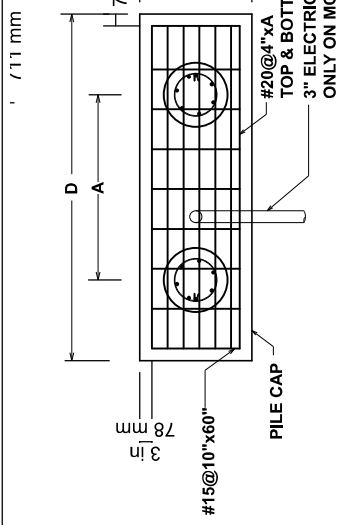


1 REBAR
#15@6.5"x148"

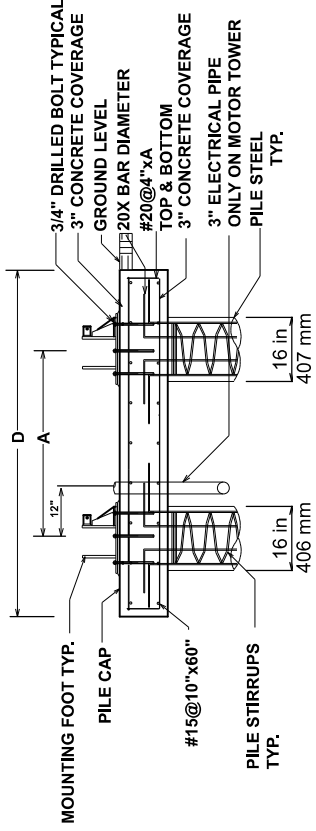
REAR CAP REBAR DETAILS:
SCALE: 1/4"=1'



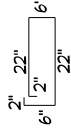
16" CONCRETE PILE
MINIMUM STEEL
REQUIRED 7 REBARS
#20
CONCRETE PILE DETAIL:
SCALE: 1/4"=1'



FRONT CAP PLAN VIEW:
SCALE: 1/4"=1'



FRONT CAP CROSS SECTION:
SCALE: 1/4"=1'



1 REBAR #15@10"x60"



MODEL 20' D = 117.80"
MODEL 30' D = 143.35"
MODEL 40' D = 169.00"

- 1 REBAR #20@4"x129.80" TOP & BOTTOM REINFORCEMENT
- 1 REBAR #20@4"x155.35" TOP & BOTTOM REINFORCEMENT
- 1 REBAR #20@4"x181.00" TOP & BOTTOM REINFORCEMENT

FRONT CAP REBAR DETAILS:
SCALE: 1/4"=1'

| | | | |
|---|---|--|---|
| UNLESS OTHERWISE SPECIFIED: 1. A & B 1 2. A & B 2 3. A & B 3 4. A & B 4 5. A & B 5 6. A & B 6 7. A & B 7 8. A & B 8 9. A & B 9 10. A & B 10 11. A & B 11 12. A & B 12 13. A & B 13 14. A & B 14 15. A & B 15 16. A & B 16 17. A & B 17 18. A & B 18 19. A & B 19 20. A & B 20 | THIS DRAWING CONFORMS TO ASME Y14.3M - 1994 FOR DOCUMENTATION PRACTICES | PRODUCT SERIES | PROCESS: |
| | THIRD ANGLE PROJECTION | KONEX KONEX REBAR SYSTEMS INC. | STANDARD DRAWING - IN AUTODESK INVENTOR 3D MODEL |
| MATERIAL | TYPICAL PILE FOUNDATION | DRAWN BY | NAME |
| SHEET SIZE: MASS | SCALE | DESIGNER | DATE |
| THICKNESS | | CHECKER | |
| | | PART NO. | REV |
| | | | A |